

Limit switches

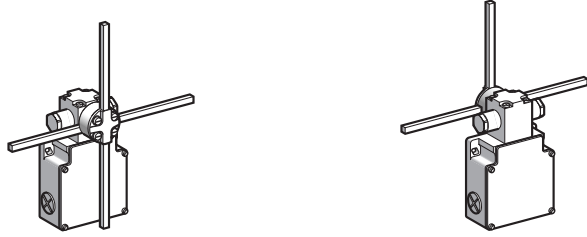
OsiSense XC Special

For hoisting and material handling applications,
type XCK MR

Complete switches with 3 cable entries

1

Type of head	Rotary	
--------------	--------	--



Type of operator	With cruciform metal rods	With cruciform metal rods, reversed head
------------------	---------------------------	--

References of complete switches (⊖ NC contact with positive opening operation on contacts 21-22)

Switches with 3 cable entries tapped ISO M20 x 1.5

<p>2 x 2-pole NC + NC staggered, slow break (non interchangeable contacts)</p>	XCK MR54D1H29 ⊖	XCK MR54D2H29 ⊖
--	-----------------	-----------------

Switches with 3 cable entries for n° 13 cable gland

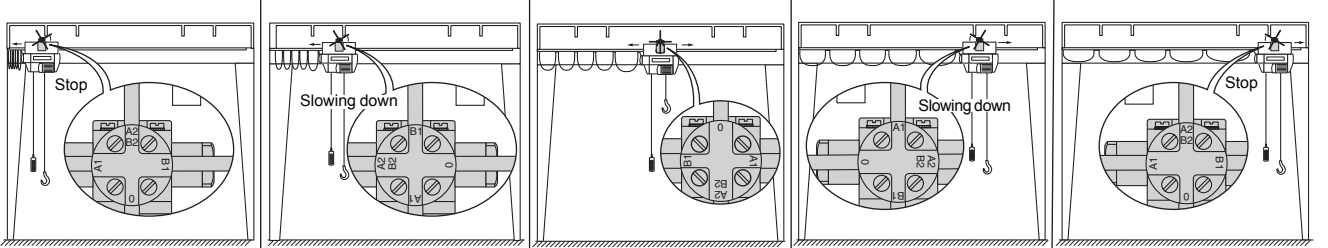
<p>2 x 2-pole NC + NC staggered, slow break (non interchangeable contacts)</p>	XCK MR54D1 ⊖	XCK MR54D2 ⊖
--	--------------	--------------

Weight (kg)	0.550	0.550
-------------	-------	-------

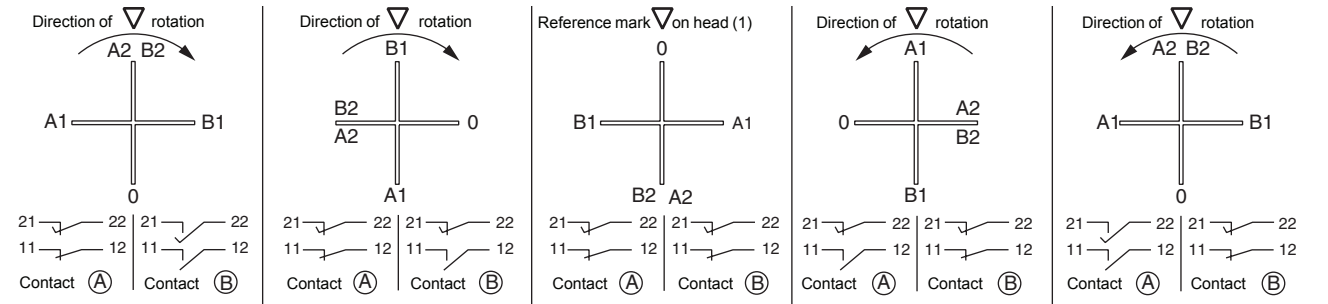
Complementary characteristics

Switch actuation	Horizontal
Maximum actuation speed	1.5 m/s
Mechanical durability	2 million operating cycles
Minimum force or torque	For tripping: 0.5 N.m For positive opening: 0.75 N.m
Repeat accuracy	± 0.3 mm
Cable entry	3 entries tapped ISO M20 x 1.5, clamping capacity 7 to 13 mm 3 entries tapped for n° 13 cable gland conforming to NF C 68-300 (DIN Pg 13.5), clamping capacity 9 to 12 mm

Operation



	180° ⊖	90°	0°	90°	180° ⊖	
(A)						11-12 21-22
(B)						11-12 21-22



(1) Triangle symbol marked on top of head

Limit switches

OsiSense XC Special

For hoisting and material handling applications,

type XCK MR

Complete switches with 3 cable entries

References of separate components



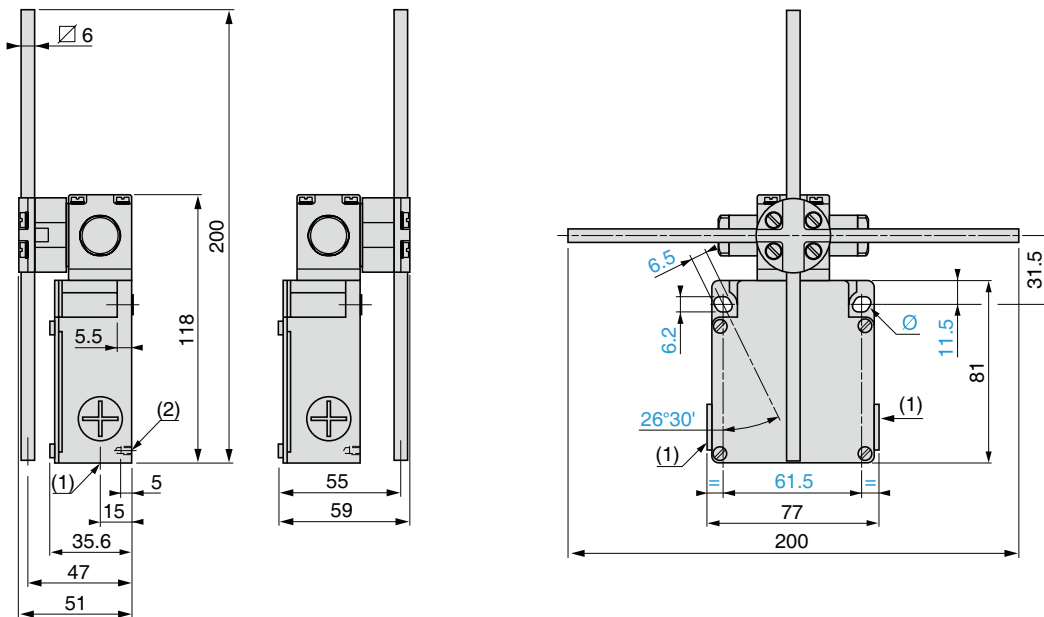
XCR Z03

Description	Reference	Weight kg
Rod \varnothing 6 mm, L = 200 mm	XCR Z03	0.020

Dimensions

XCK MR54D1H29
XCK MR54D1

XCK MR54D2H29
XCK MR54D2



- (1) XCK MR54D●H29 = 3 entries tapped ISO M20 x 1.5.
XCK MR54D● = 3 entries tapped for n° 13 cable gland.
(2) 2 centring holes \varnothing 3.9 ± 0.2, for cover fixing holes alignment.
 \varnothing : \varnothing 2 elongated holes 6.2 x 6.5, inclined at 26° 30' to the vertical axis, for M5 screws.